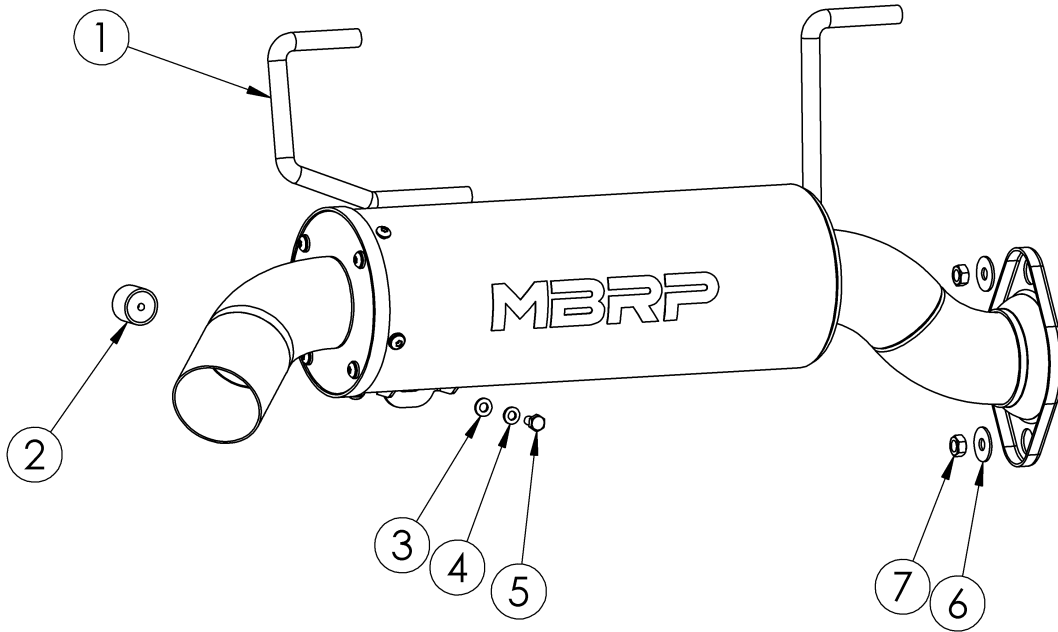


AT-9539PT

PERFORMANCE MUFFLER, SLIP-ON
2024-UP POLARIS XPEdition

MBRP[®]



ITEM NO.	DESCRIPTION	QTY
1	MUFFLER ASSEMBLY	1
2	RUBBER MOUNT	1
3	M6 FLAT WASHER	1
4	LOCK WASHER	1
5	BOLT	1
6	WASHER (LARGE O.D.)	2
7	NUT	2

Refer to this LOT NUMBER when contacting customer service: _____

PLEASE READ BEFORE STARTING INSTALLATION

While MBRP has made every effort to ensure that all components of this system are of superior quality and properly packaged, it is the installer's responsibility to ensure the following before removal of the factory exhaust:

- that ALL components shown above are present.
- that ALL mating components fit together.
- that there are no damaged components.
- that the system you have purchased is appropriate for your vehicle year, model and configuration.
- that the system will not interfere with any modifications previously installed or planned.
- that you have read and understand these instructions.

If you have any questions or are uncertain about any aspect of the installation of this system to your vehicle please contact your dealer before commencing installation.

MBRP

Removal of Stock Exhaust:

1. Remove the four (4) screws securing the rear cover to the muffler body, and remove the cover.
2. Remove and retain the two (2) bolts and springs securing the muffler inlet to the exhaust pipe. Leave the gasket on the exhaust pipe outlet.
3. Apply a silicone lubricant to the ends of the muffler hangers, then remove the muffler by sliding the hangers out of the rubber isolators.
4. Remove the OEM spark arrestor from the stock muffler outlet. The screw and spark arrestor will be reused on the new muffler.



Figure 1

Installation of MBRP Exhaust:

1. Remove the left-centre M6 screw from the chassis-mounted heat shield (in front of where the muffler was) Next, install the **Rubber Mount** in its place. **Refer to Figure 1.**
2. Put the **Muffler Assembly** in place by sliding the hanger rods into the rubber isolators.
3. Loosely connect the **Muffler Assembly** inlet flange to the exhaust pipe by reinstalling the previously removed springs and bolts with the supplied **Large Washers** (2) and **Nuts** (2). Do not fully tighten yet. **Refer to Figure 2.**
4. Secure the lower mount of the **Muffler Assembly** to the **Rubber Mount** using the provided **M6 Bolt, Flat Washer, and Lock Washer**. **Refer to Figure 3.**
5. Fully tighten the hardware at the inlet flange.
6. Install the OEM spark arrestor into the tip of the **Muffler Assembly**. **Refer to Figure 4.**



Figure 2

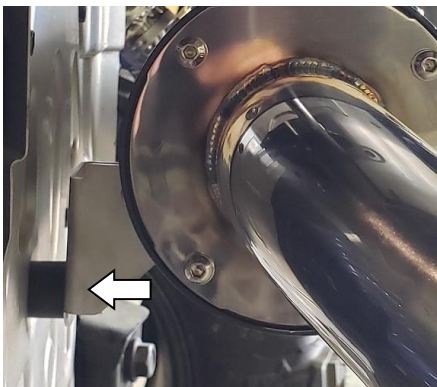


Figure 3



Figure 4

Note: In order to maintain optimal performance, the spark arrestor screen should be removed and cleaned after the initial 3 hours of use and then every 30-35 hours of use.

It is recommended that the muffler screws be retightened after the first ride and checked periodically thereafter, tightening if necessary.



Congratulations! You are ready to begin experiencing the improved performance and driving excitement of your **MBRP** Exhaust upgrade. We know you will enjoy your purchase.